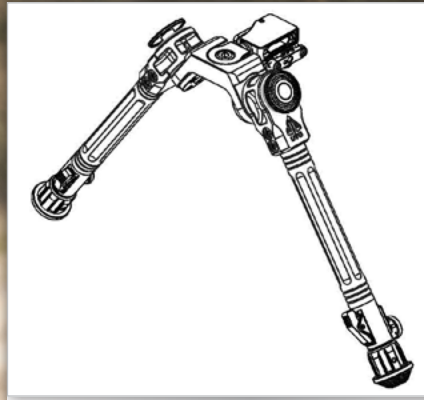




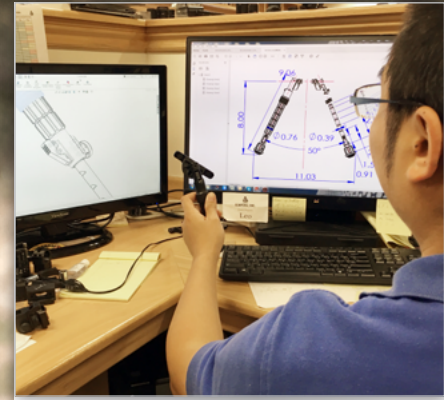
INTRODUCTION

Leapers UTG® has a well established reputation for making some of the finest bipods available. Tailored to provide a rock solid foundation to shoot from, the wide variety of our bipods means we have a solution for practically every firearms application and shooting discipline. Precision long range shooters, huntsman, tacticians, and everyday shooters whom all require the need for quality, strength, and innovation come to us first in their search for quality that perseveres. Check out the bipods and shooting stand section for the latest innovative products and designs such as our very first USA Made UTG PRO® Bipod, our new Over Bore Bipod, and Full Stability Bipod designed for big bore rifles, new for 2019.

ABSOLUTE COMMITMENT TO QUALITY



Design Concept to Finished Production



Intensive Engineering



Optimized World-class Machinery



Relentless Search for Excellence



Tightly Measured Tolerances



Rigorous Field Testing

LEAPERS, INC.
THE BEST NEVER REST
LIFETIME WARRANTY

NEW AND MUST HAVE PRODUCTS FOR 2019

UTG PRO®
 TBNR™
 BIPODS



OVER BORE
 BIPOD



BIG BORE FULL
 STABILITY
 BIPOD



GEN 2 D-GRIP®
 QUICK DEPLOYABLE
 BIPOD



RECON FLEX™
 BIPODS



UTG BIPODS & SHOOTING STAND



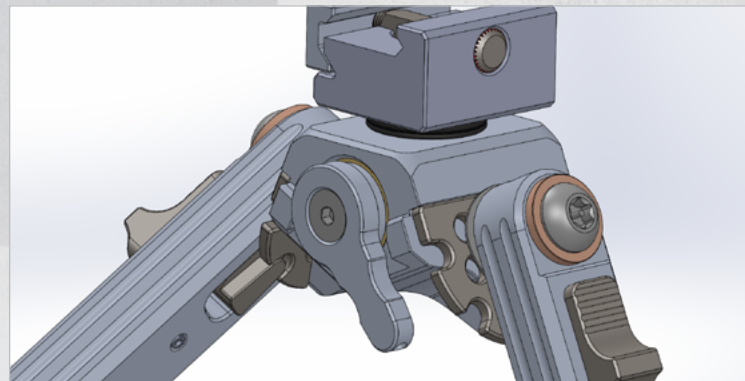
A UTG PRO FIRST



Designed and manufactured in our Michigan based UTG PRO® facility and headquarters, our first ever USA made bipod is the next tier in our commitment and dedication to provide our customers with improved product lines that are held to a higher degree of quality. Fully idealized, conceptualized, and proven here in the USA, our UTG PRO® bipod specifically addresses shooters, their situations, and their disciplines in its features, materials, functions, and quality.



World Class Manufacturing

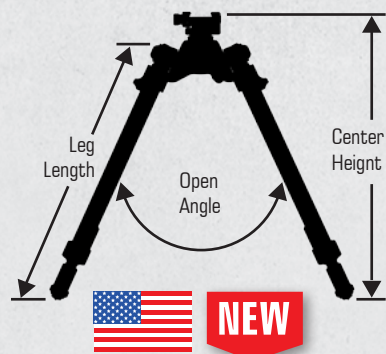


Michigan Designed, Engineered, and Manufactured



TBNR™ BIPODS

- MADE IN USA**
- AIRCRAFT ALUMINUM
- STEEL
- 5 POSITION BIDIRECTIONAL FOLDING
- MIL-STD-1913 PICATINNY
- PATENT PENDING
- 360° PANNING



MIL-STD-1913 Picatinny Mount with Square Steel Crossbolt

Automatic Spring-Loaded Leg Retraction

Open Angle: 50°

Ring Locks Secure Height Adjustment in Place

Type III Class 2 Hard Coat Anodize and Manganese Phosphate Finished

Replaceable Foot Pads Compatible with ATLAS Feet Interface

Ergonomic Posi-lock Release Easily Used With and Without Gloves

Aircraft Aluminum and Steel Construction

UTG PRO® TBNR™ BIPODS

- Proudly Designed and Manufactured here in the USA
- Type III Class 2 Matte Black Hard Coat Anodize Finished CNC Machined Aluminum and Manganese Phosphate Treated Steel Construction
- 5 Position Bidirectional Folding with Steel-on-Steel Lockup
- Tension-adjustable 360° Panning
- Tension-adjustable 13° Tilt in the Forward, Rearward, Left, and Right Directions
- MIL-STD-1913 Picatinny Mounting Deck with Squared Steel Crossbolt
- Automatic Spring-loaded Leg Retraction
- 90° Throw and Keyed Legs Intuitively Manages Height Adjustability
- Ring Locks for Securing Height Adjustment in Place
- Replaceable Foot Pads and Compatible with Atlas Feet Interface

Model #	Center Height (Min - Max)	Leg Length (Min - Max)	Foot Pad	Weight	Panning	Tilting	Foldable Legs	Extendable Legs	Spring Loaded Quick Retraction	Swivel Stud Mount
TLUBP01	9.6" - 14.5"	9.5" - 15.4"	Steel/Removable	33oz	360°	13°	5 Position Bidirectional	7 Position	Leg Retraction	Sold Separately
TLUBP02	6" - 9"	5.9" - 10"	Steel/Removable	20oz	360°	13°	5 Position Bidirectional	4 Position	Leg Retraction	Sold Separately

TLUBP02
Center Height: 6" - 9"

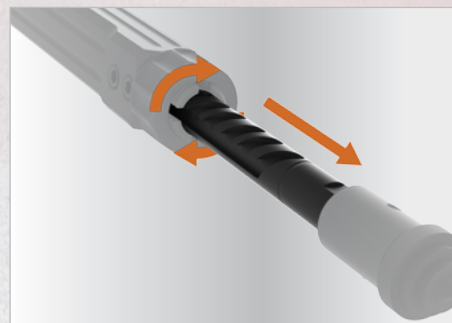
TLUBP01
Center Height: 9.6" - 14.5"



Tension Adjustable 360° Panning and 13° Tilt Forward, Rearward, Left, and Right



5 Position Bidirectional Folding with Steel-on-Steel Lockup



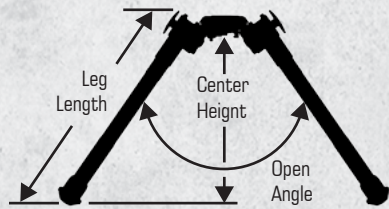
90° Throw and Keyed Legs for Height Adjustment



Tension Adjustable 13° Tilt Forward, Rearward, Left and Right

UTG OVER BORE BIPOD

- AIRCRAFT ALUMINUM
- 5 POSITION BIDIRECTIONAL FOLDING
- MIL-STD-1913-PICATINNY
- OVER BORE MOUNTING
- QUICK DETACHABLE
- ADJUSTABLE HEIGHT



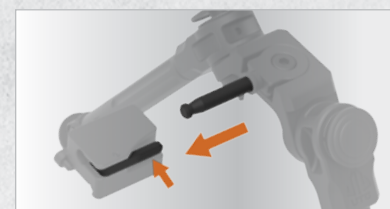
TL-BPOB01

Over Bore Bipod

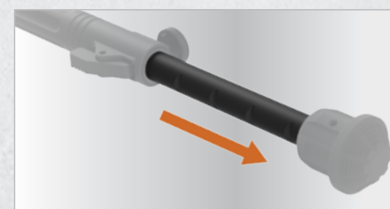
- Mounts to the Top Picatinny Rail of Handguards and with a Wider Open Angle for Improved Stability
- Aluminum and Steel Construction
- Quick Detachable System Allows Leg Configuration to Quickly Install and Remove from Mounting Base for Easier Storage
- 5 Position Bidirectional Folding
- Posi-lock Push Button with Larger Surface Area for Easier Use while Wearing Gloves
- Extendable and Lockable Legs with Rubberized Foot Pads for Traction
- Center Height: 7.36" - 11.02"



5 Position Bidirectional Folding



Bipod Body Detaches from Mounting Deck Via Quick Detach Lever Lock System



Precut and Flexible In-between Locking Positions



Square Shaped Integral Recoil Stops Prevent Forward and Rearward Movement Under Heavy Recoil



NEW

Open Angle: 70°

Locking Thumb Wheel Secures Leg Height Adjustment

Ergonomic Posi-Lock Push Button Leg Deployment Easily Used With or Without Gloves

Aircraft Aluminum with a Matte Black Anodized Finish

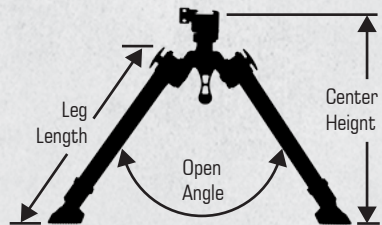
Spring Loaded Retention Clamp

Textured Nonslip Rubberized Foot Pad

Model #	Center Height (Min - Max)	Leg Length (Min - Max)	Foot Pad	Weight	Pan/Tilt	Foldable Legs	Extendable Legs	Spring Loaded	Swivel Mount
TL-BPOB01	7.36" - 11.02"	9.5" - 13.99"	Rubberized	29oz	22°/44°	5 Position Bidirectional	7 Position	N/A	N/A

UTG BIG BORE FULL STABILITY BIPOD

- AIRCRAFT ALUMINUM
- 5 POSITION BIDIRECTIONAL FOLDING
- MIL-STD-1913-PICATINNY
- BIG BORE APPLICATION
- PATENT PENDING



TL-BPFS01

Big Bore Full Stability Bipod

- Designed from the Ground Up for Big Bore Rifle Applications
- Reinforced Aluminum and Steel Construction
- Panning and Tilting Lockable Via Lever
- 5 Position Bidirectional Folding
- Posi-lock Push Button with Larger Surface Area for Easier Use while Wearing Gloves
- Heavy Duty Serrated Foot Pads with Larger Surface Area for Traction and Stability
- Center Height: 9.6"-14.5"



5 Position Bidirectional Folding



Lever Locked Panning



Tilting Lock Lever



Automatic Spring Loaded Leg Extension



Panning Lock Lever

Ergonomic Posi-Lock Push Button Leg Deployment Easily Used With or Without Gloves

Tilting Lock Lever

Open Angle: 70°

Reinforced Aluminum and Steel Construction

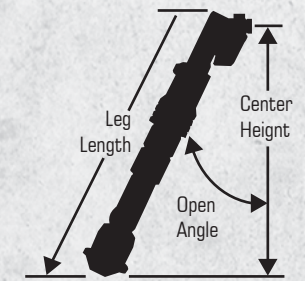
Automatic Spring Loaded Leg Extension

Serrated Steel Footpad

Locking Thumb Wheel Secures Leg Height Adjustment

Model #	Center Height (Min - Max)	Leg Length (Min - Max)	Foot Pad	Weight	Pan/Tilt	Foldable Legs	Extendable Legs	Spring Loaded	Swivel Mount
TL-BPFS01	9.6" - 14.5"	9.5" - 15.4"	Steel	36.1oz	35°/55°	5 Position Bidirectional	9 Position	Leg Extension	Sold Separately

- AIRCRAFT ALUMINUM
- 5 POSITION BIDIRECTIONAL FOLDING
- M-LOK KEYMOD & M-LOK®
- PATENT PENDING



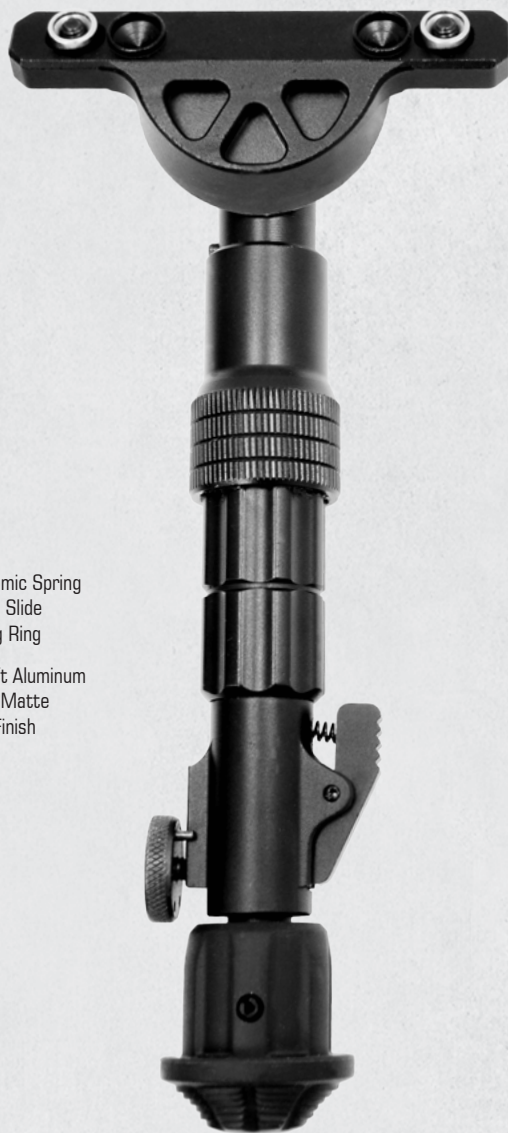
Ergonomic Spring Loaded Slide Locking Ring



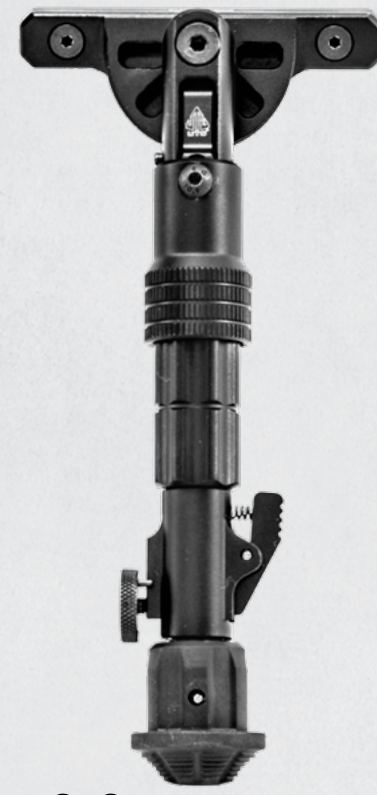
5 Position Bidirectional Folding

Recon Flex™ Bipods

- Directly Attaches to Handguard at the 3 and 9 O'clock Positions
- Ergonomic Spring Loaded Slide Locking Ring for Quick and Effortless Bipod Deployment
- Lightweight Aircraft Aluminum Construction with a Matte Black Finish
- Versatile Bidirectional Bipod Legs with 5 Posi-lock Positions for Use on Different Firearms with Varying Height Clearance and Mounting Real Estate
- Fully Adjustable Legs with Precut Extendable Lengths and Flexible In-between Positions Lockable via Thumb Wheel
- Equipped with Textured Nonslip Rubberized Foot Pads



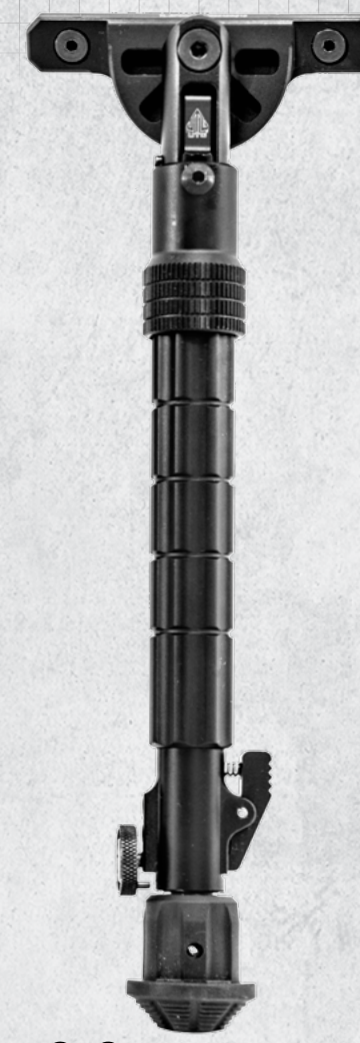
TL-BPDM01
Center Height: 5.7" to 8.0"



TL-BPK01
Center Height: 5.7" to 8.0"



TL-BPDM02
Center Height: 8"-11.8"



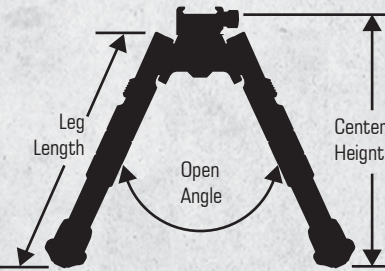
TL-BPK02
Center Height: 8"-11.8"

Model #	Center Height (Min - Max)	Leg Length (Min - Max)	Foot Pad	Weight	Panning	Foldable Legs	Extendable Legs	Quick Retraction	Swivel Stud Mount
TL-BPK01	5.7" - 8.0"	6.3" - 9"	Rubberized	10.8oz / 2pcs	X	5 Position Bidirectional	✓	X	X
TL-BPDM01	5.7" - 8.0"	6.3" - 9"	Rubberized	10.8oz / 2pcs	X	5 Position Bidirectional	✓	X	X
TL-BPK02	8.0" - 11.8"	8.74" - 13.63"	Rubberized	11.8oz / 2pcs	X	5 Position Bidirectional	✓	X	X
TL-BPDM02	8.0" - 11.8"	8.74" - 13.63"	Rubberized	11.8oz / 2pcs	X	5 Position Bidirectional	✓	X	X



RECON 360™ BIPOD SERIES

- AIRCRAFT ALUMINUM
- 5 POSITION BIDIRECTIONAL FOLDING
- MIL-STD-1913 PICATINNY
- US PAT. D758521
- US PAT. D758522
- 360° PANNING

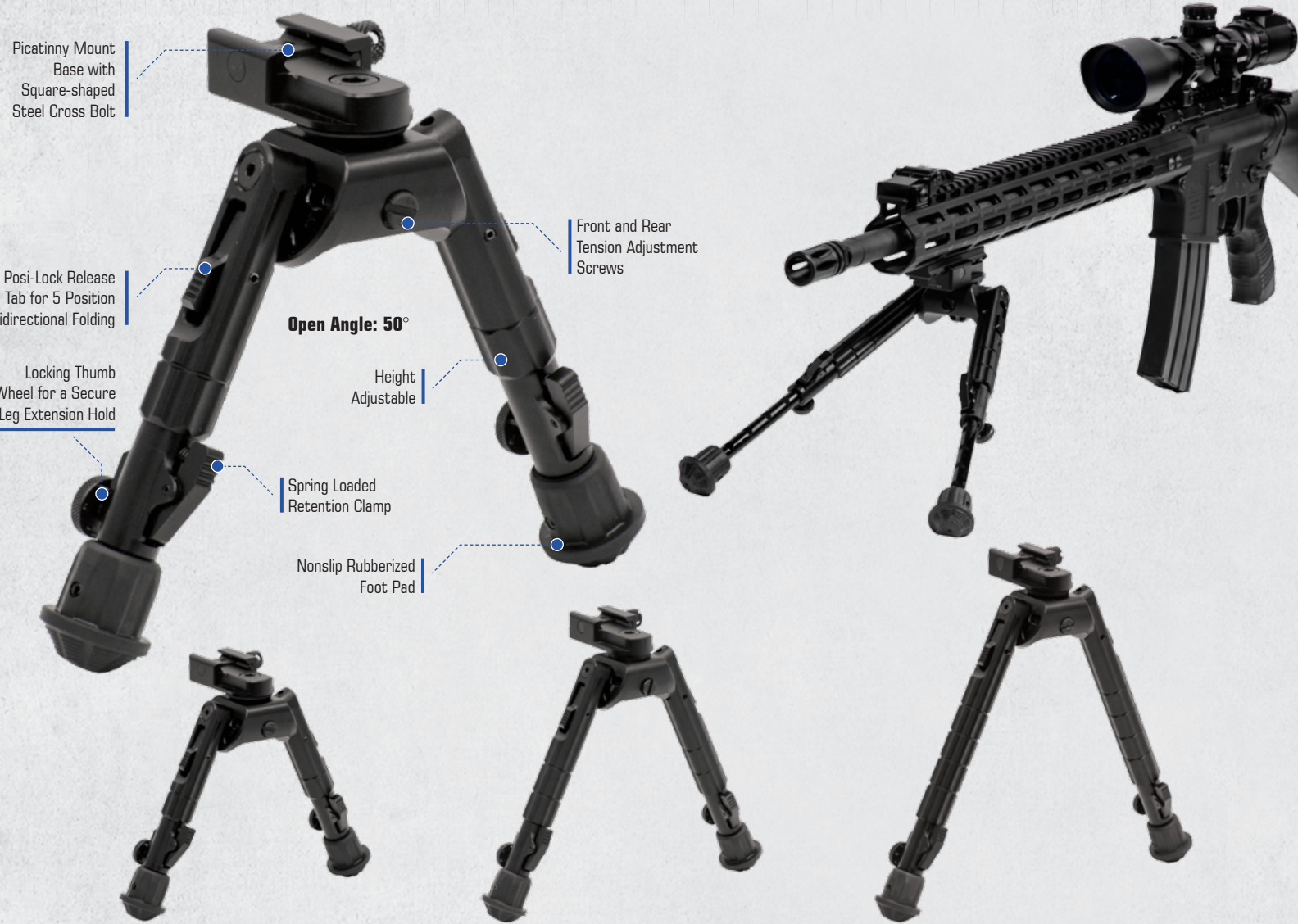


Tension Adjustable 360° Panning

- PARTS INCLUDED



Swivel Stud Kit (TL-BPAD1)



TL-BP02
Center Height: 5.59" - 11.97"

TL-BP01
Center Height: 6.69" - 9.12"

TL-BP03
Center Height: 8.12" - 11.97"

Model #	Center Height (Min - Max)	Leg Length (Min - Max)	Foot Pad	Weight	Panning	Foldable Legs	Extendable Legs	Quick Retraction	Swivel Stud Mount
TL-BP01	6.69" - 9.12"	6.69" - 9.25"	Rubberized	13.3oz	360°	5 Position Bidirectional	✓	X	✓
TL-BP02	5.59" - 7"	5.21" - 6.77"	Rubberized	12oz	360°	5 Position Bidirectional	✓	X	✓
TL-BP03	8.12" - 11.97"	8.15" - 12.43"	Rubberized	15.3oz	360°	5 Position Bidirectional	✓	X	✓



GEN 2 D-GRIP® QUICK RELEASE DEPLOYABLE BIPOD

- ALUMINUM + STEEL
- MIL-STD-1913 PICATINNY
- US PATENT: 8397421
- US PATENT: D727455
- US PATENT: 9,169,958
- EU REG: 002245522-0001
- EU REG: 002245522-0002



Quick Deployable Bipod and Foregrip



Ambidextrous Quick Release



Picatinny QD Lever Lock Mount

MNT-DG02Q

NEW

UTG Gen 2 D-Grip®

- Durable Aircraft Aluminum and Steel Construction with a Matte Black Finish
- Contoured Foregrip with Nonslip and Heat-resistant Rubberized Inlays for a Secure and Repeatable Grip
- Ambidextrous Quick Release Deploys Foldable Impact-resistant Bipod Legs Instantly
- Picatinny Quick-detach Lever-lock Mount for Fast Installation and Removal
- 5.61" Foregrip Length with an 8.55" Center Height and 65° Open Angle when Bipod is Deployed



D grip
QUICK RELEASE DEPLOYABLE BIPOD

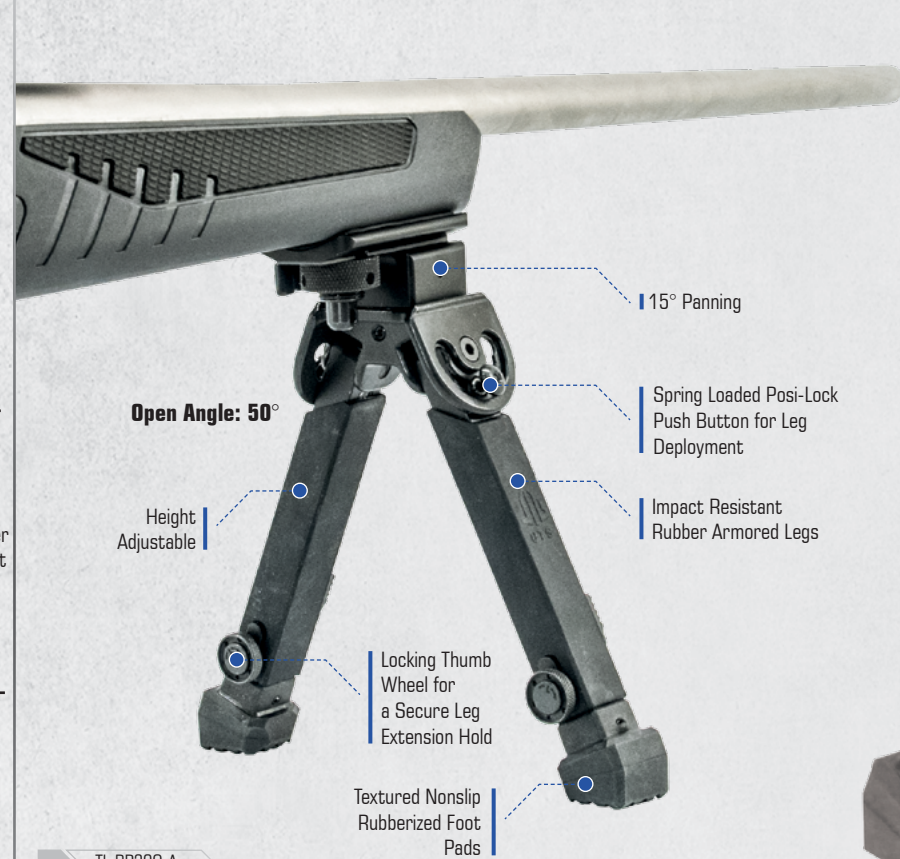
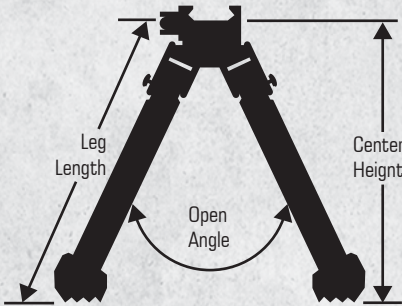
Deploys with ease
Defies the norm
Designed in Detroit

Model #	Grip Height	Bipod Height	Weight	Foot Pad
MNT-DG02Q	5.61"	8.55"	12.15oz	Aluminum



RUBBER ARMORED QD BIPOD

- ALUMINUM + STEEL
- MIL-STD-1913 PICATINNY
- 5 POSITION BIDIRECTIONAL FOLDING
- US PATENT: 8,397,421



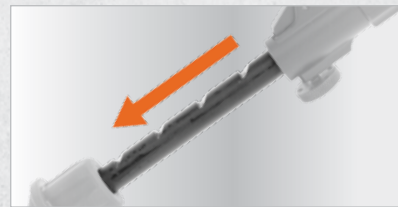
TL-BP20Q-A
Rubber Armored QD Bipod
Center Height: 6.0" - 8.5"



Swivel Stud Kit (TL-BPAD1)



3 Position Bidirectional Folding Design



Precut and Flexible In-between Locking Positions



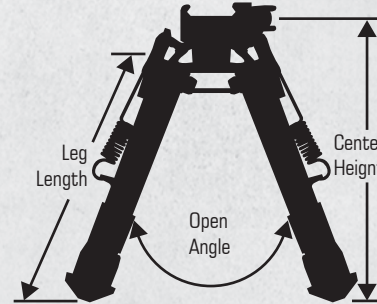
Picatinny Quick Detachable Lever Lock Mount

Model #	Center Height (Min - Max)	Leg Length (Min - Max)	Foot Pad	Weight	Panning	Foldable Legs	Extendable Legs	Quick Retraction	Swivel Stud Mount
TL-BP20Q-A	6.0" - 8.5"	5.5" - 8.0"	Rubberized	14oz	15°	3 Position Bidirectional	✓	X	✓



SPRING LOADED BIPOD SERIES

- ALUMINUM + STEEL
- MIL-STD-1913 PICATINNY
- US PATENT: 8,397,421



Swivel Stud Kit (TL-BPAD1)

Model #	Center Height (Min - Max)	Leg Length (Min - Max)	Foot Pad	Weight	Panning	Foldable Legs	Extendable Legs	Quick Retraction	Swivel Stud Mount	Bidirectional Folding
TL-BP98Q	6.0" - 8.5"	5.5" - 8"	Rubberized	13.8oz	15°	✓	✓	✓	✓	X
TL-BP99Q	8.0" - 12.8"	7.7" - 13.7"	Rubberized	17.4oz	15°	✓	✓	✓	✓	X
TL-BP78Q	5.9" - 7.3"	5.5" - 7.4"	Rubberized	5.8oz	15°	✓	✓	✓	✓	X
TL-BP88Q	8.0" - 12.4"	7.7" - 12.7"	Rubberized	12.8oz	15°	✓	✓	✓	✓	X
TL-BP78	6.1" - 7.9"	5.5" - 7.4"	Rubberized	11.5oz	15°	✓	✓	✓	✓	X
TL-BP88	8.3" - 12.7"	7.9" - 12.7"	Rubberized	13.3oz	15°	✓	✓	✓	✓	X



TL-BP98Q
Medium Profile Super Duty QD Bipod
Center Height: 6.0" - 8.5"



TL-BP99Q
High Profile Super Duty QD Bipod
Center Height: 8.0" - 12.8"



TL-BP78Q
Medium Profile Tactical OP QD Bipod
Center Height: 5.9" - 7.3"



TL-BP88Q
High Profile Tactical OP QD Bipod
Center Height: 8.0" - 12.4"



TL-BP78
Medium Profile Tactical OP Bipod
Center Height: 6.1" - 7.9"

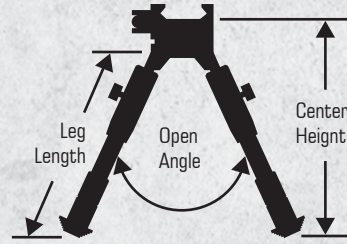


TL-BP88
High Profile Tactical OP Bipod
Center Height: 8.3" - 12.7"



SHOOTER'S BIPOD SERIES

- AIRCRAFT ALUMINUM
- MIL-STD-1913 PICATINNY
- US PATENT: 8,397,421



Nonslip Knurling in Key Areas 15° Panning

PARTS INCLUDED



Model #	Center Height (Min - Max)	Leg Length (Min - Max)	Foot Pad	Weight	Panning	Foldable Legs	Extendable Legs	Quick Extension	Swivel Stud Mount
TL-BP28SQ	6.2" - 6.7"	5.25" - 5.75"	Rubberized	8.1oz	15°	✓	✓	✓	✓
TL-BP28S	6.2" - 6.7"	5.25" - 5.75"	Rubberized	8.1oz	15°	✓	✓	✓	✓
TL-BP28ST	6.0" - 7.0"	5.3" - 6.3"	Steel	8.3oz	15°	✓	✓	✓	✓
TL-BP69SQ	8.7" - 10.6"	8" - 9.75"	Rubberized	11.1oz	15°	✓	✓	✓	✓
TL-BP69S	8.7" - 10.6"	8" - 9.75"	Rubberized	11.3oz	15°	✓	✓	✓	✓
TL-BP69ST	8.2" - 10.3"	7.75" - 9.75"	Steel	10.9oz	15°	✓	✓	✓	✓



TL-BP28SQ
New Gen Medium Profile QD Shooter's Bipod
 • Center Height: 6.2" - 6.7"
 • Nonslip Rubberized Foot Pads



TL-BP28S
Medium Profile Shooter's SWAT Bipod
 • Center Height: 6.2" - 6.7"
 • Nonslip Rubberized Foot Pads



TL-BP28ST
Medium Profile Shooter's SWAT Bipod
 • Center Height: 5.8" - 6.8"
 • Steel Foot Pads



TL-BP69SQ
High Profile QD Shooter's Bipod
 • Center Height: 8.7" - 10.6"
 • Nonslip Rubberized Foot Pads



TL-BP69S
High Profile Shooter's Bipod
 • Center Height: 8.7" - 10.6"
 • Nonslip Rubberized Foot Pads



TL-BP69ST
High Profile Shooter's Bipod
 • Center Height: 8.7" - 10.6"
 • Steel Foot Pads



BARREL CLAMP BIPODS & SHOOTING STAND



TL-BP18S-A
Medium Profile Reinforced Clamp-on Bipod
 • Center Height: 6.2" - 6.7"
 • Fits Barrel Diameters 0.43" - 0.75" (11mm - 19mm)
 • Nonslip Rubberized Foot Pads



TL-BP08S-A
High Profile Reinforced Clamp-on Bipod
 • Center Height: 8.7" - 10.2"
 • Fits Barrel Diameters 0.43" - 0.75" (11mm - 19mm)
 • Nonslip Rubberized Foot Pads



TL-BP08ST-A
High Profile Clamp-on Bipod
 • Center Height: 8.7" - 10.2"
 • Fits Barrel Diameters 0.43" - 0.75" (11mm - 19mm)
 • Steel Foot Pads



TL-BP70
Polymer Clamp-on Bipod
 • Center Height: 10" - 11"
 • Clamps directly around most barrels
 • Folds together to be easily stowed away

- TL-MP150Q**
Monopod
 • Center Height: 20.5" - 58.75"
 • Quick Release Spring-loaded Leg Extension
 • Locking Thumb Wheels for Secure Leg Extension Hold



Rubber Armored Metal V-Rest Camera Mount Adaptor



Model #	Center Height (Min - Max)	Leg Length (Min - Max)	Foot Pad	Weight	Panning	Foldable Legs	Extendable Legs	Quick Extension	Swivel Stud Mount	Bidirectional Folding
TL-BP08S-A	8.7" - 10.2"	8" - 9.7"	Rubberized	10.3oz	X	✓	✓	✓	X	X
TL-BP08ST-A	9" - 11"	7.5" - 10"	Steel	13oz	X	✓	✓	✓	X	X
TL-BP18S-A	6.2" - 6.7"	5.2" - 5.7"	Rubberized	10.3oz	X	✓	✓	✓	X	X
TL-BP70	10"	11"	Polymer	6.4oz	X	X	X	✓	X	X
TL-MP150Q	20.5" - 58.75"	20.5" - 58.75"	Rubberized	24.8oz	X	X	✓	✓	X	X

BIPODS AND SHOOTING STANDS

SHOOTER'S BIPOD SERIES

BIPODS AND SHOOTING STANDS

BARREL CLAMP BIPODS & SHOOTING STAND